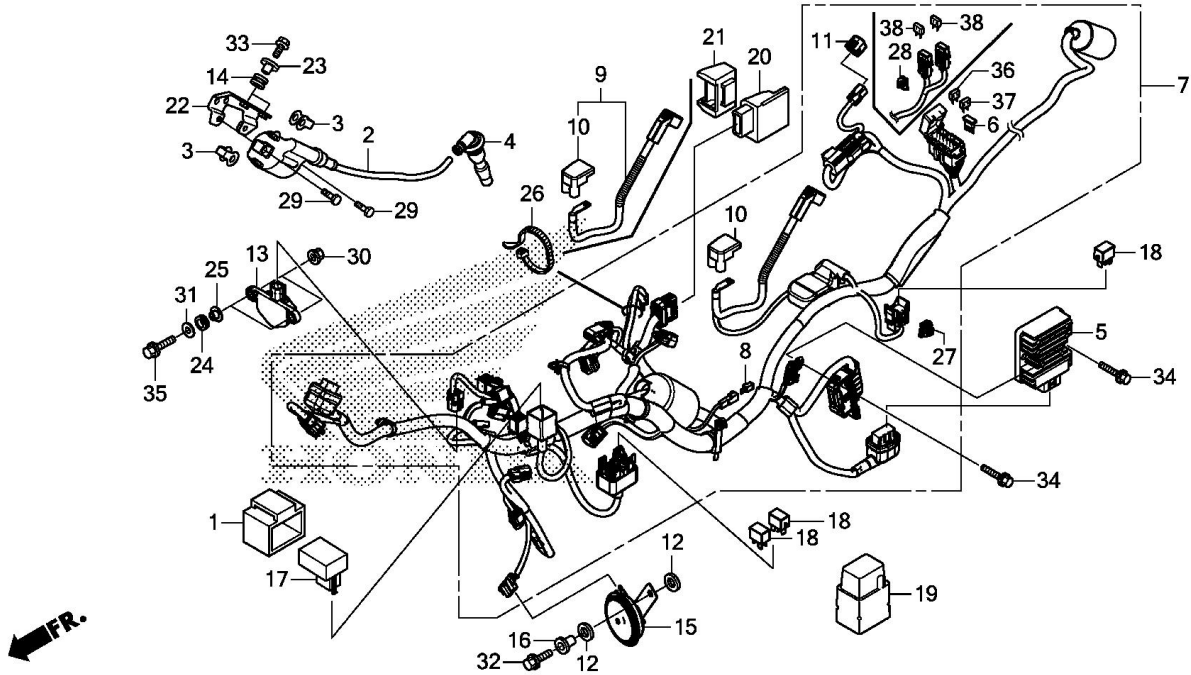




Model Name	CBR300R	Product Line	MOTORCYCLE
Model ID	CBR300R	Year	2017
Mfg	THA	Area	
Section	FRAME	Clr Label	R263-(MILLENNIUM RED)
		Illustration	WIRE HARNESS

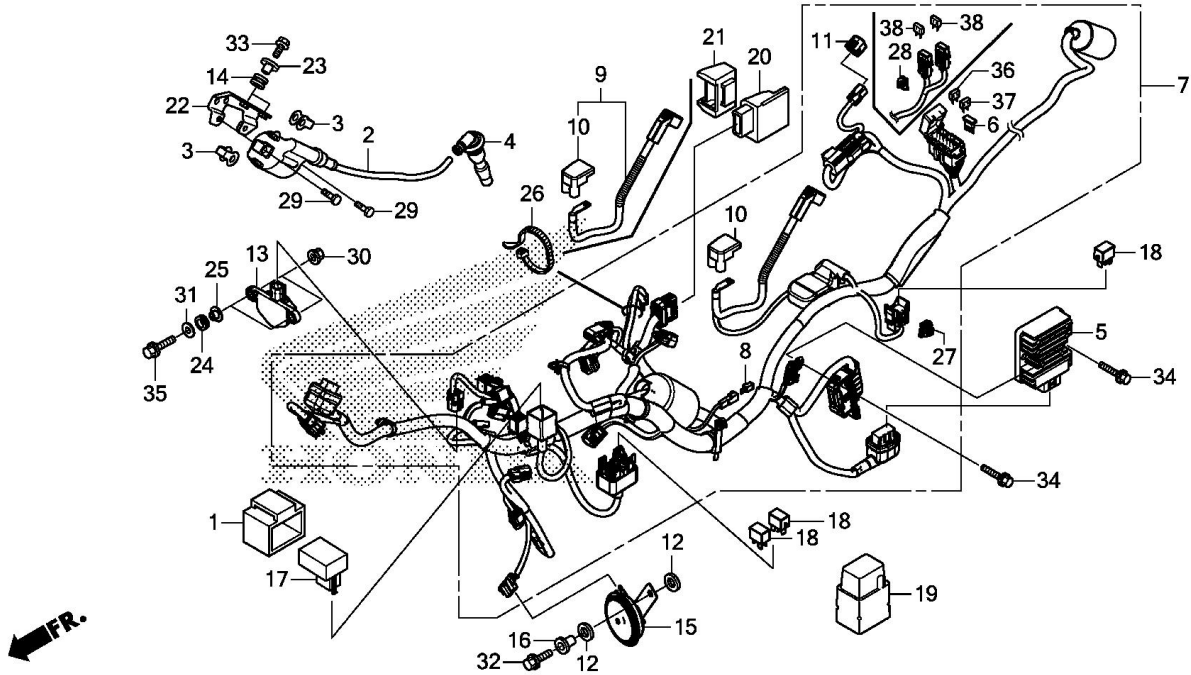


K334F3800

Ref.	Part Number	Part Description	Qty.
001	30401-KF0-010	CUSHION, IGNITION CONTROL MODULE (CDI)	001
002	30510-K33-D01	COIL, IGNITION	001
003	30520-GFM-900	SPACER, IGNITION COIL	002
004	30700-MGZ-J01	CAP ASSY., NOISE SUPPRESSOR	001
005	31600-KVK-901	RECTIFIER ASSY., REGULATOR	001
006	31730-MAS-601	DIODE ASSY., THREE WAY (SUMITOMO)	001
007	32100-K33-A00	WIRE HARNESS	001
007	32100-K33-G00	WIRE HARNESS	001
008	32146-S84-003	CONNECTOR, DIODE (2P) (3A)	001
009	32401-K33-305	CABLE, STARTER MAGNETIC BATTERY	001
010	32406-KAZ-010	COVER, STARTER MAGNETIC TERMINAL	001
011	32606-GEV-761	CAP, DUMMY (4P) (RED)	001
012	33714-KL3-620	RUBBER, TAILLIGHT BRACKET	002
013	35160-MGS-D31	SENSOR ASSY., BANK ANGLE	001
014	36037-657-000	GROMMET A, TUBE	002
014	36043-657-000	GROMMET, WIRE HARNESS	002
015	38110-KYJ-901	HORN (HIGH)	001
016	38117-KFE-701	COLLAR, HORN SETTING	001
017	38301-KYJ-941	RELAY, TURN SIGNAL POSITION	001
018	38501-KWN-901	RELAY, POWER (MICRO ISO 4P) (OMRON)	003
019	38506-KZZ-900	COVER, RELAY (2P)	001
020	38770-K75-A51	PGM-FI UNIT	001
020	38770-K75-L61	PGM-FI UNIT	001
021	38771-GFM-900	SUSPENSION, ENGINE CONTROL UNIT	001
022	50204-KYJ-900	STAY, IGNITION COIL	001
023	50214-KYJ-900	COLLAR, IGNITION COIL MOUNTING	002
024	64535-MFJ-D00	RUBBER, SIDE COVER	002
025	90129-MGZ-J00	COLLAR, BANK ANGLE SENSOR	002
026	90651-KV6-003	BAND, WIRE (165MM) (BLACK)	001
027	91536-STK-003	CLIP, RELAY HOLDER (NATURAL)	001
029	92101-06020-4J	BOLT, HEX. (6X20)	002



Model Name	CBR300R	Product Line	MOTORCYCLE
Model ID	CBR300R	Year	2017
Mfg	THA	Area	
Section	FRAME	Clr Label	R263-(MILLENNIUM RED)
		Illustration	WIRE HARNESS



K334F3800

Ref.	Part Number	Part Description	Qty.
030	94050-06080	NUT, FLANGE (6MM)	002
031	94103-06800	WASHER, PLAIN (6MM)	002
032	95701-06016-00	BOLT, FLANGE (6X16)	001
033	95701-06016-08	BOLT, FLANGE (6X16)	002
034	95701-06022-00	BOLT, FLANGE (6X22)	002
035	95701-06022-08	BOLT, FLANGE (6X22)	002
036	98200-41000	FUSE, MINI (10A)	005
037	98200-41500	FUSE, MINI (15A)	002