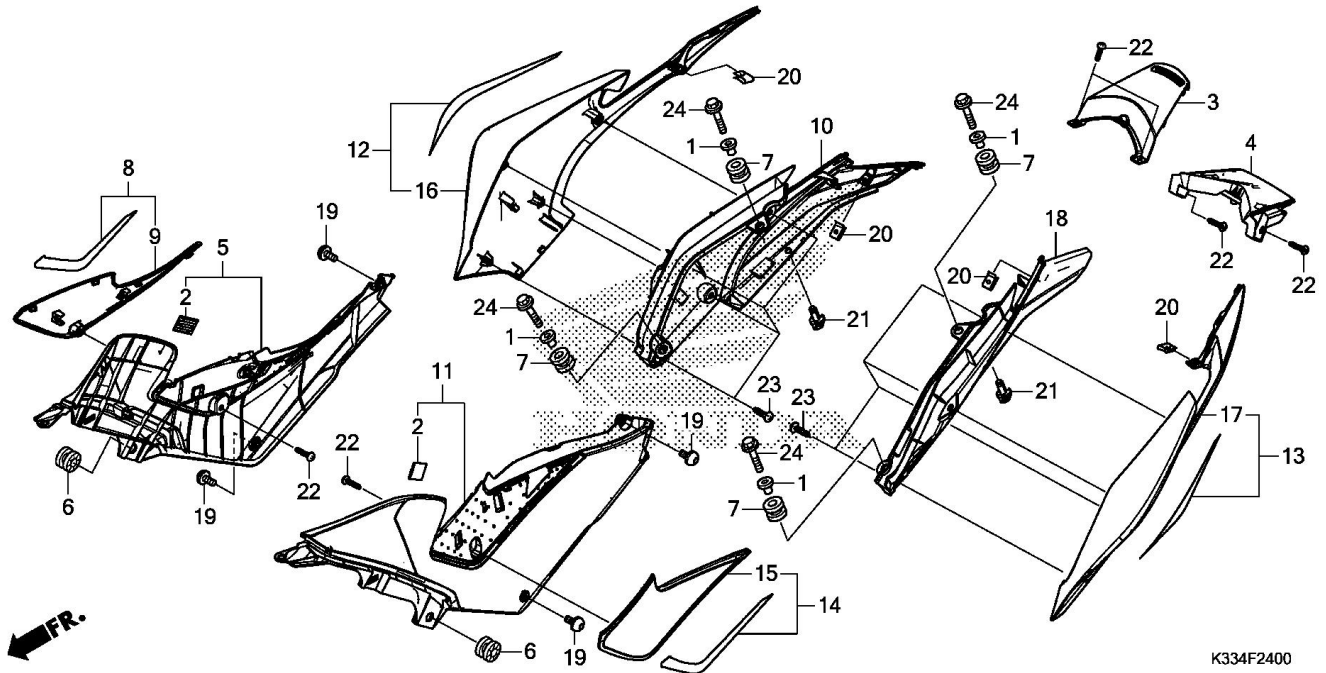




Model Name	CBR300R	Product Line	MOTORCYCLE
Model ID	CBR300R	Year	2017
Mfg	THA	Area	
Section	FRAME	Clr Label	R263-(MILLENNIUM RED)
		Illustration	SIDE COVER - REAR COWL



Ref.	Part Number	Part Description	Qty.
001	17232-KYJ-900	COLLAR, AIR CLEANER MOUNTING	004
002	17581-MGZ-J00	FASTENER B, DUAL LOCK (20X30)	002
003	83450-K75-V10ZC	COWL SET, RR. CENTER (UPPER) (TYPE2) (WL)	001
004	83501-K33-D00	COWL, RR. CENTER (LOWER)	001
005	83505-K33-D00	COVER ASSY., R. SIDE	001
006	83545-K33-D00	RUBBER, SIDE COVER	002
007	83545-KCJ-690	RUBBER, SIDE COVER	004
009	83560-K33-D00ZA	PANEL, R. SIDE *R263*(MILLENNIUM RED)	001
010	83600-K33-D00	COWL, R. RR.	001
011	83605-K33-D00	COVER ASSY., L. SIDE	001
012	83620-K75-V10ZC	COVER SET, R. RR. (TYPE1) (WL)	001
013	83630-K75-V10ZC	COVER SET, L. RR. (TYPE1) (WL)	001
015	83660-K33-D00ZA	PANEL, L. SIDE *R263*(MILLENNIUM RED)	001
018	83700-K33-D00	COWL, L. RR.	001
019	90132-KPP-T00	SCREW, PAN (6X10)	004
020	90344-KTE-910	NUT, CLIP (4MM)	004
021	90683-GAZ-003	CLIP, TRIM	002
022	93903-24380	SCREW, TAPPING (4X12)	006
023	93903-25280	SCREW, TAPPING (5X12)	008
024	95701-06020-08	BOLT, FLANGE (6X20)	004