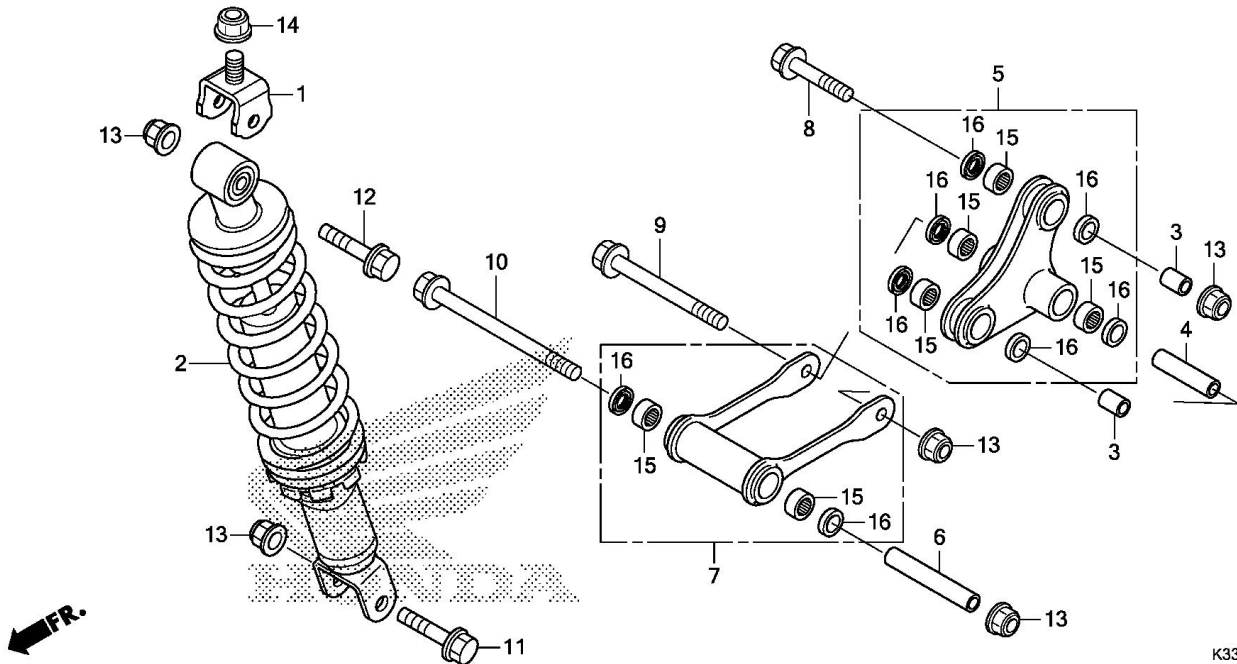




| | | | |
|-------------------|----------------|---------------------|------------------------------|
| Model Name | CBR300R | Product Line | MOTORCYCLE |
| Model ID | CBR300R | Year | 2017 |
| Mfg | THA | Area | |
| Section | FRAME | Clr Label | R263-(MILLENNIUM RED) |
| | | Illustration | REAR SHOCK ABSORBER |



K334F3300

| Ref. | Part Number | Part Description | Qty. |
|------|---------------|-----------------------------------|------|
| 001 | 50175-KYJ-900 | HOLDER, RR. CUSHION (UPPER) | 001 |
| 002 | 52400-K33-305 | CUSHION ASSY., RR. (COO) (SHOWA) | 001 |
| 003 | 52463-KYJ-900 | COLLAR B, CUSHION ARM | 002 |
| 004 | 52464-KYJ-900 | COLLAR C, CUSHION ARM | 001 |
| 005 | 52465-KYJ-900 | ARM SUB-ASSY., CUSHION | 001 |
| 006 | 52472-KYJ-900 | COLLAR, CUSHION CONNECTING ROD | 001 |
| 007 | 52475-KYJ-900 | ROD SUB-ASSY., CUSHION CONNECTING | 001 |
| 008 | 90101-KBS-900 | BOLT, FLANGE (10X65) | 001 |
| 009 | 90101-KYJ-900 | BOLT, FLANGE (10X106) | 001 |
| 010 | 90104-KYJ-900 | BOLT, FLANGE (10X146) | 001 |
| 011 | 90152-KYJ-900 | BOLT, FLANGE (10X55) | 001 |
| 012 | 90153-KYJ-900 | BOLT, FLANGE (10X53) | 001 |
| 013 | 90304-KGH-901 | NUT, U (10MM) (FUJI SEIMITSU) | 005 |
| 014 | 90306-KGH-901 | NUT, U (12MM) (FUJI SEIMITSU) | 001 |
| 015 | 91071-MY1-005 | BEARING, NEEDLE (17X24X17) (KOYO) | 006 |
| 015 | 91071-KYJ-711 | BEARING, NEEDLE (17X24X17) (NRB) | 006 |
| 016 | 91262-KV3-831 | DUST SEAL (17X24X5) (ARAI) | 008 |