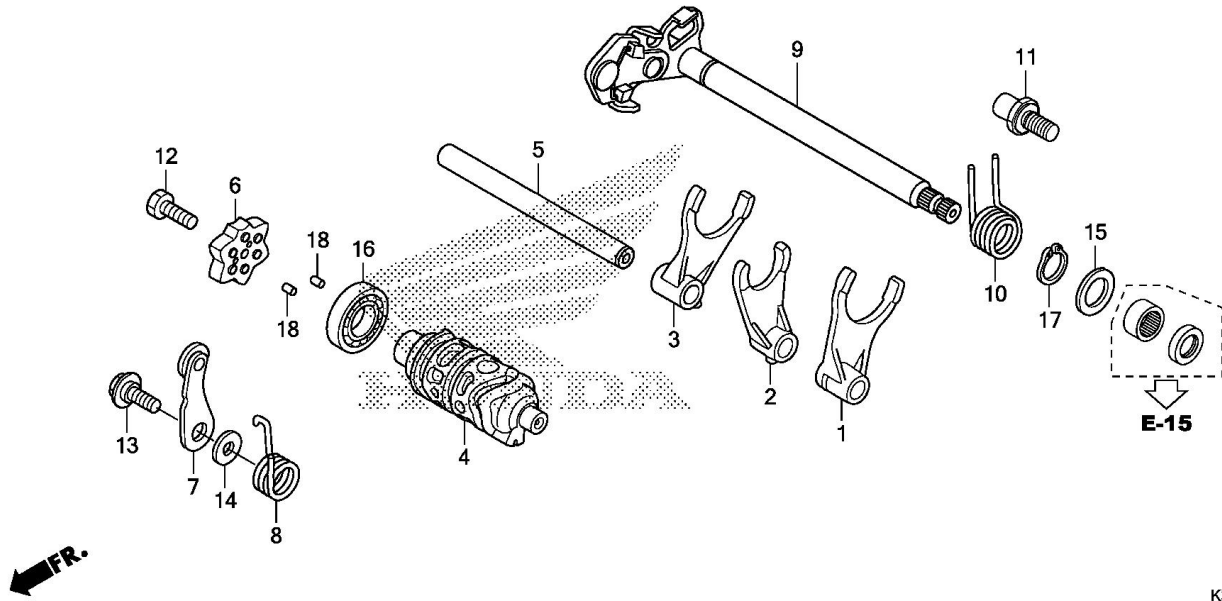




<b>Model Name</b>	<b>CBR300R</b>	<b>Product Line</b>	<b>MOTORCYCLE</b>
<b>Model ID</b>	<b>CBR300R</b>	<b>Year</b>	<b>2017</b>
<b>Mfg</b>	<b>THA</b>	<b>Area</b>	
<b>Section</b>	<b>ENGINE</b>	<b>Clr Label</b>	<b>R263-(MILLENNIUM RED)</b>
		<b>Illustration</b>	<b>GEARSHIFT DRUM</b>



K334E1900

Ref.	Part Number	Part Description	Qty.
001	24211-KZZ-900	FORK, L. GEARSHIFT	001
002	24212-KZZ-900	FORK, CENTER GEARSHIFT	001
003	24213-KZZ-900	FORK, R. GEARSHIFT	001
004	24301-KYJ-900	DRUM, GEARSHIFT	001
005	24321-KYJ-900	SHAFT, GEARSHIFT FORK	001
006	24410-KYJ-900	PLATE, GEARSHIFT DRUM STOPPER	001
007	24430-KGH-901	STOPPER, GEARSHIFT DRUM	001
008	24435-KYJ-900	SPRING, DRUM STOPPER	001
009	24610-KYJ-900	SPINDLE, GEARSHIFT	001
010	24651-KRM-840	SPRING, GEARSHIFT RETURN	001
011	24652-KRM-840	PIN, SHIFT RETURN SPRING	001
012	90003-KVS-900	BOLT, HEX. (6X20)	001
013	90022-MG8-000	PIVOT, SHIFT DRUM STOPPER ARM	001
014	90435-HB3-000	WASHER (6.1MM)	001
015	90457-KRM-840	WASHER (14MM)	001
016	91015-MCA-003	BEARING, RADIAL BALL (6905)	001
017	94510-14000	CIRCLIP (OUTER) (14MM)	001
018	96220-30085	ROLLER (3X8.5)	002