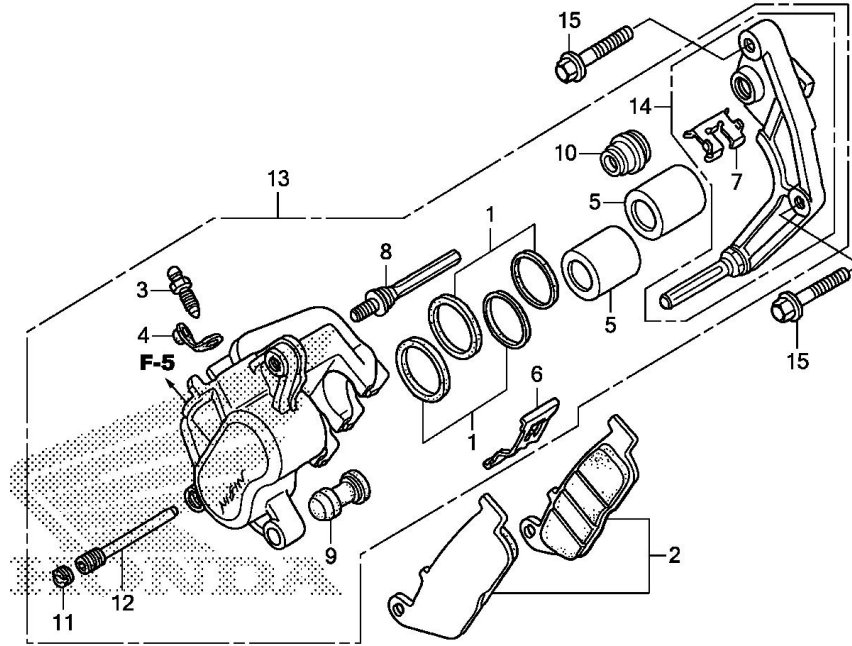


Model Name	CBR300R	Product Line	MOTORCYCLE
Model ID	CBR300R	Year	2017
Mfg	THA	Area	
Section	FRAME	Clr Label	R263-(MILLENNIUM RED)
		Illustration	FRONT BRAKE CALIPER (STANDARD)



K334F1200A

Ref.	Part Number	Part Description	Qty.
001	06451-GE2-405	SEAL SET, PISTON	002
002	06455-KYJ-901	PAD SET	001
003	43352-568-003	SCREW, BLEEDER (NISSIN)	001
004	43353-461-771	CAP, BLEEDER	001
005	45107-MN5-006	PISTON	002
006	45108-ML7-922	SPRING, PAD (NISSIN)	001
007	45112-ML7-921	RETAINER	001
008	45131-ML7-921	BOLT A, PIN	001
009	45132-166-016	BOOT, PIN BUSH (NISSIN)	001
010	45133-MA3-006	BOOT B	001
011	45203-MG3-016	PLUG, PIN	001
012	45215-ML7-922	PIN, HANGER	001
013	45250-KYJ-901	CALIPER SUB-ASSY., R. FR. (NISSIN)	001
014	45290-KFK-006	BRACKET SUB-ASSY., R. FR.	001
015	90131-KYJ-710	BOLT, FLANGE (8X32)	002