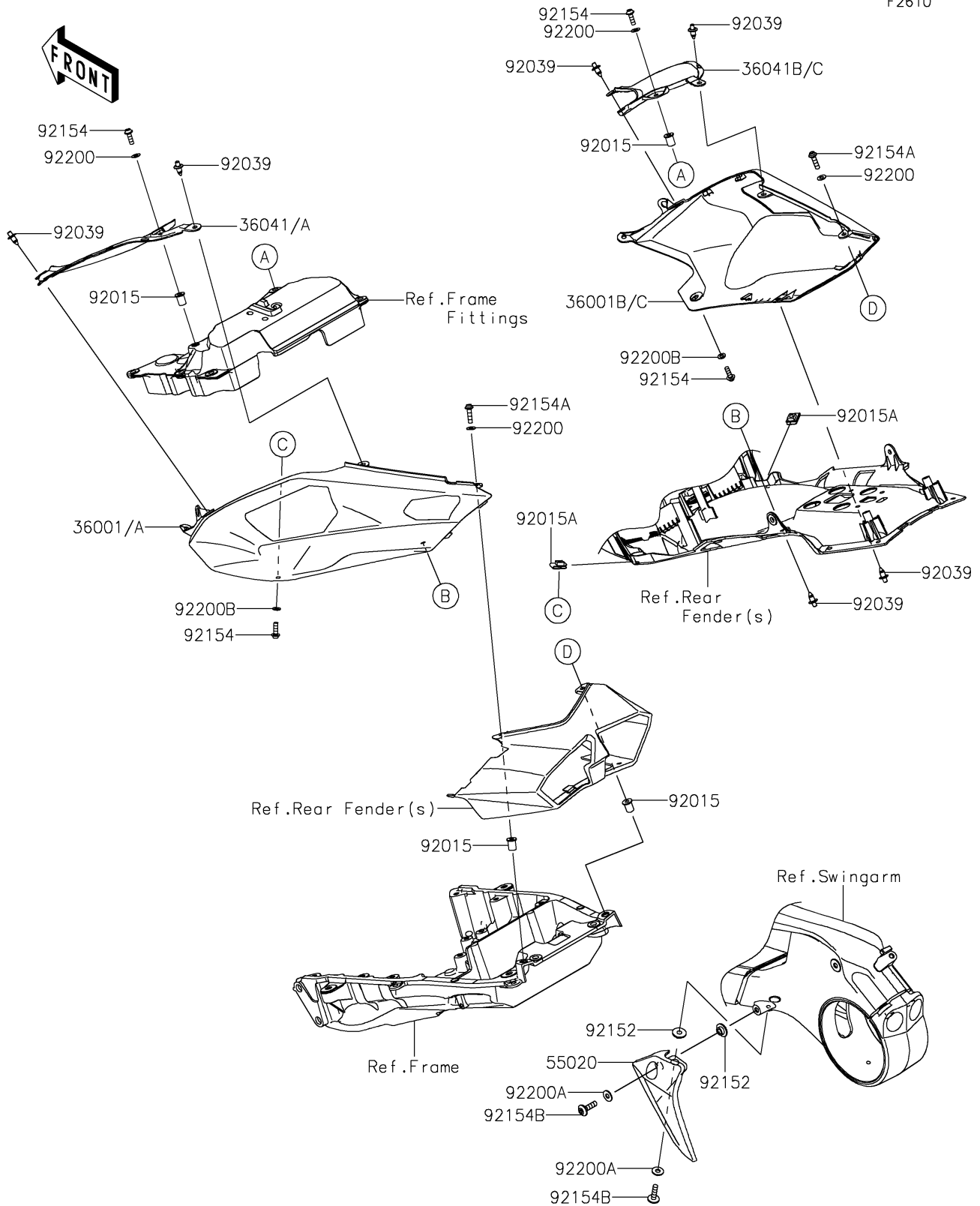


2020 Ninja H2™ SX SE+ PARTS DIAGRAM

Side Covers/Chain Cover

F2610



2020 Ninja H2™ SX SE+ PARTS LIST

Side Covers/Chain Cover

ITEM NAME	PART NUMBER	QUANTITY
COVER-SIDE,LH,E.B.GREEN (Ref # 36001A)	36001-0680-60R	1
COVER-SIDE,RH,E.B.GREEN (Ref # 36001C)	36001-0681-60R	1
COVER-TAIL,LH,E.B.GREEN (Ref # 36041A)	36041-0040-60R	1
COVER-TAIL,RH,E.B.GREEN (Ref # 36041C)	36041-0041-60R	1
GUARD,SPROCKET (Ref # 55020)	55020-1851	1
NUT,WELL,5MM (Ref # 92015)	92015-1757	1
NUT,5MM (Ref # 92015A)	92015-1996	1
RIVET (Ref # 92039)	92039-0068	1
COLLAR,6.2X18X5.65 (Ref # 92152)	92152-1979	1
BOLT,SOCKET,5X16 (Ref # 92154)	92154-0209	1
BOLT,SOCKET,5X20 (Ref # 92154A)	92154-0210	1
BOLT,SOCKET,6X22 (Ref # 92154B)	92154-1810	1
WASHER,NYLONE,5.3X11.5X0.5 (Ref # 92200)	92200-0006	1
WASHER,6.2X15X1.2 (Ref # 92200A)	92200-1762	1
WASHER,5.2X10X1.0 (Ref # 92200B)	92200-1820	1