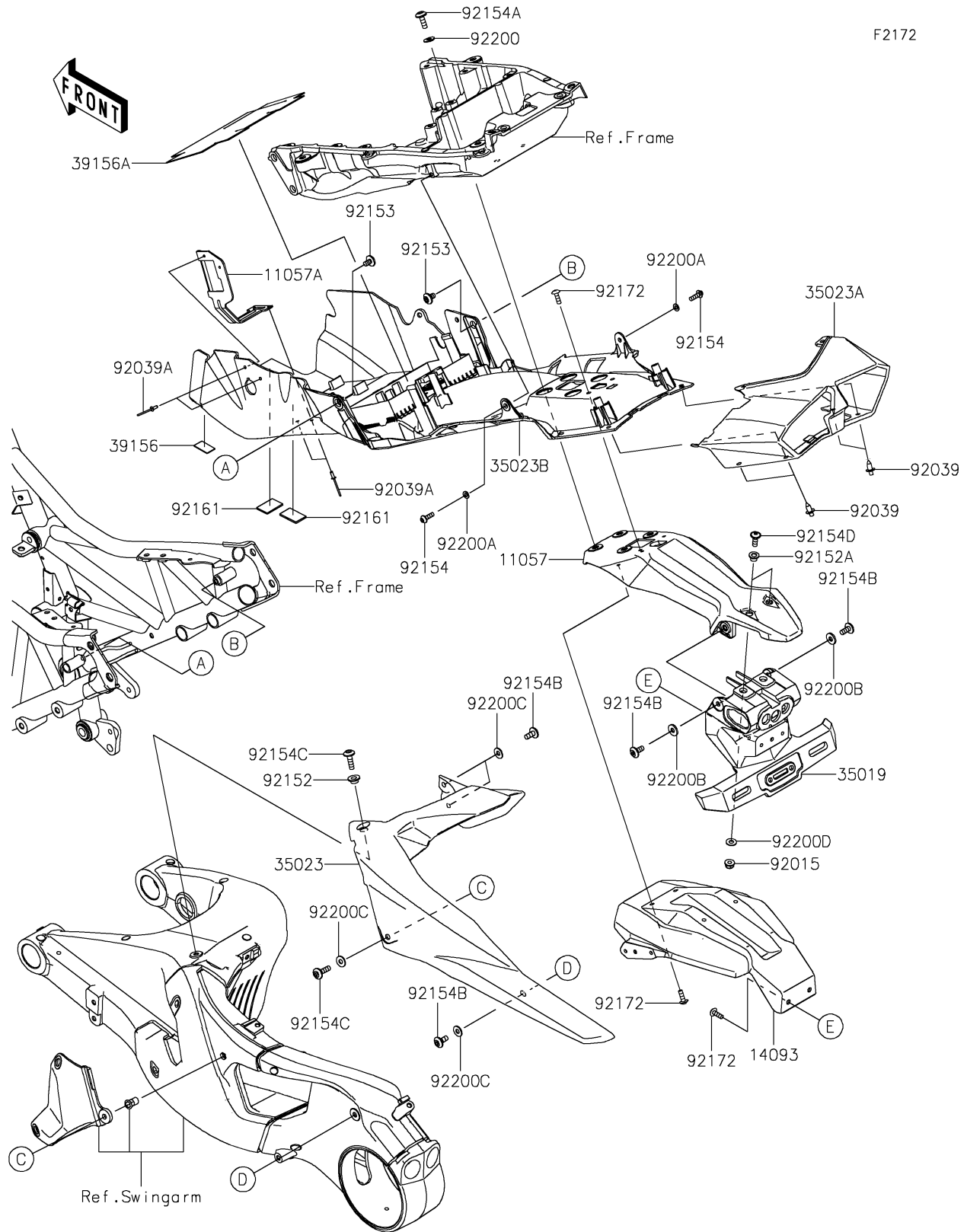


## 2020 Ninja H2™ SX SE+ PARTS DIAGRAM

Rear Fender(s)



F2172

## 2020 Ninja H2™ SX SE+ PARTS LIST

Rear Fender(s)

ITEM NAME	PART NUMBER	QUANTITY
BRACKET,FLAP STAY (Ref # 11057)	11057-1276	1
BRACKET,KEY CYLINDER (Ref # 11057A)	11057-1627	1
COVER,HARNESS (Ref # 14093)	14093-0657	1
FLAP (Ref # 35019)	35019-0641	1
FENDER-REAR,HUGGER (Ref # 35023)	35023-0442	1
FENDER-REAR,TAIL (Ref # 35023A)	35023-0443	1
FENDER-REAR (Ref # 35023B)	35023-0458	1
PAD,15X25X1 (Ref # 39156)	39156-2119	1
PAD (Ref # 39156A)	39156-2487	1
NUT,LOCK,FLANGED,6MM (Ref # 92015)	92015-1603	1
RIVET (Ref # 92039)	92039-0068	1
RIVET,3.2X9.5 (Ref # 92039A)	92039-0752	1
COLLAR,6.5X10X6.2 (Ref # 92152)	92152-2152	1
COLLAR,6.1X13.3X7.5 (Ref # 92152A)	92152-2462	1
BOLT,SOCKET,6X10 (Ref # 92153)	92153-0410	1
BOLT,SOCKET,5X16 (Ref # 92154)	92154-0209	1
BOLT,SOCKET,6X18 (Ref # 92154A)	92154-1694	1
BOLT,SOCKET,6X14 (Ref # 92154B)	92154-1807	1
BOLT,SOCKET,6X22 (Ref # 92154C)	92154-1810	1
BOLT,6X18 (Ref # 92154D)	92154-3728	1
DAMPER,30X20X2 (Ref # 92161)	92161-0833	1
SCREW,TAPPING,5X16 (Ref # 92172)	92172-0175	1
WASHER,6.2X15X1.2 (Ref # 92200)	92200-1762	1
WASHER,5.2X10X1.0 (Ref # 92200A)	92200-1820	1
WASHER,6.5X16X2 (Ref # 92200B)	92200-1834	1
WASHER,6.2X15X1.2 (Ref # 92200C)	92200-1937	1
WASHER,6.1X14X1 (Ref # 92200D)	92200-1948	1