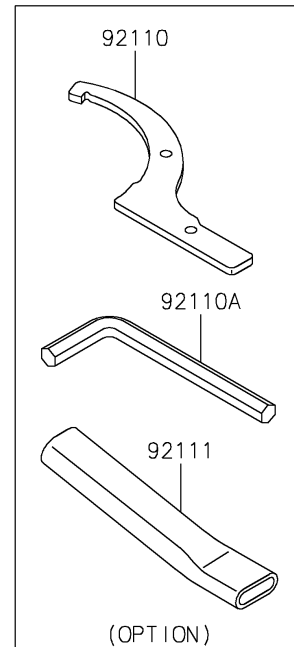
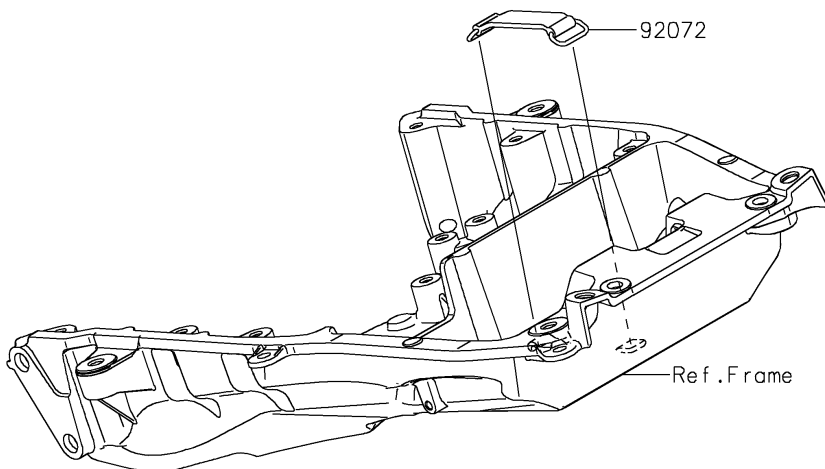
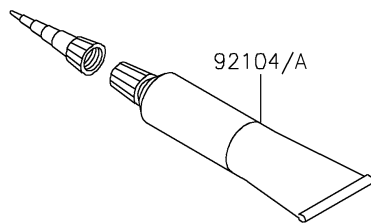
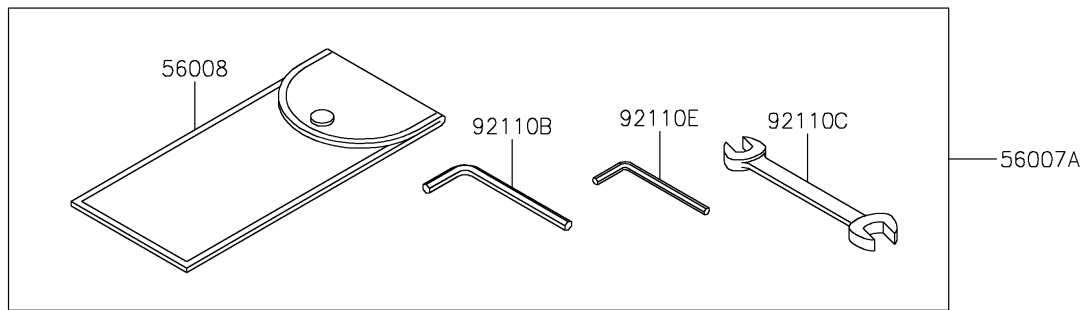
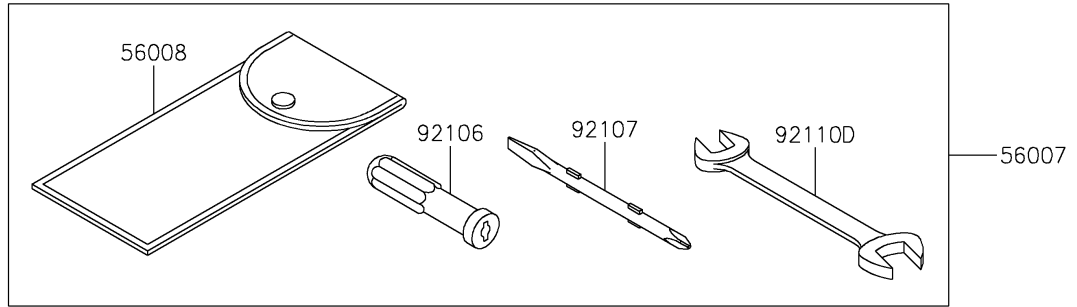


2020 Ninja H2™ SX SE+ PARTS DIAGRAM

Owner's Tools

F2810



2020 Ninja H2™ SX SE+ PARTS LIST

Owner's Tools

| ITEM NAME | PART NUMBER | QUANTITY |
|--|-------------|----------|
| TOOL-KIT,INCLUDED (Ref # 56007) | 56007-0156 | 1 |
| TOOL-KIT,ONBOARD (Ref # 56007A) | 56007-0172 | 1 |
| BAG,TOOL (Ref # 56008) | 56008-1075 | 1 |
| BAND,L=50 (Ref # 92072) | 92072-1419 | 1 |
| GASKET-LIQUID,TB1211F,CLEAR (Ref # 92104) | 92104-0004 | 1 |
| GASKET-LIQUID,TB1216B,BLACK (Ref # 92104A) | 92104-1064 | 1 |
| GRIP-SCREW DRIVER (Ref # 92106) | 92106-1001 | 1 |
| TOOL-DRIVER,#2PHILLIPS&SLOT (Ref # 92107) | 92107-1051 | 1 |
| TOOL-WRENCH,HOOK,R61.5 (Ref # 92110) | 92110-0588 | 1 |
| TOOL-WRENCH,ALLEN,10MM (Ref # 92110A) | 92110-0589 | 1 |
| TOOL-WRENCH,ALLEN,5MM (Ref # 92110B) | 92110-1015 | 1 |
| TOOL-WRENCH,OPEN END,10X12 (Ref # 92110C) | 92110-1152 | 1 |
| TOOL-WRENCH,OPEN END,14X17 (Ref # 92110D) | 92110-1153 | 1 |
| TOOL-WRENCH,ALLEN,4MM (Ref # 92110E) | 92110-3703 | 1 |
| TOOL-BAR,EXTENSION (Ref # 92111) | 92111-0009 | 1 |