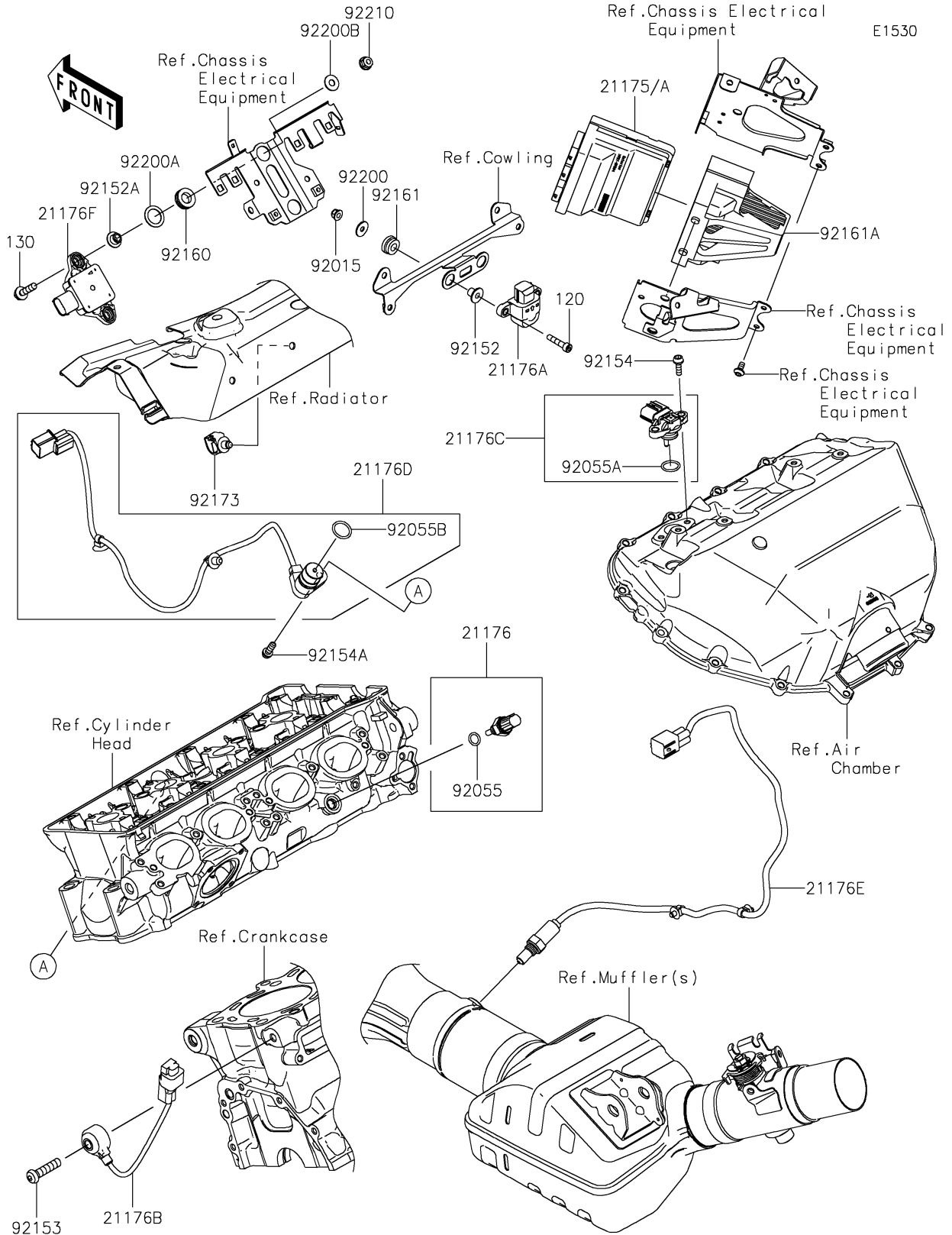


## 2020 Ninja H2™ SX SE+ PARTS DIAGRAM

Fuel Injection



## 2020 Ninja H2™ SX SE+ PARTS LIST

Fuel Injection

ITEM NAME	PART NUMBER	QUANTITY
BOLT-SOCKET,5X25 (Ref # 120)	120R0525	1
BOLT-FLANGED,6X25 (Ref # 130)	130BA0625	1
CONTROL UNIT-ELECTRONIC (Ref # 21175)	21175-1471	1
CONTROL UNIT-ELECTRONIC (Ref # 21175A)	21175-1476	1
SENSOR,WATER TEMP (Ref # 21176)	21176-0009	1
SENSOR,VEHICLE-DOWN (Ref # 21176A)	21176-0026	1
SENSOR,KNOCK (Ref # 21176B)	21176-0788	1
SENSOR,INTAKE TEMP&PRESSURE (Ref # 21176C)	21176-0791	1
SENSOR,CAM ANGLE (Ref # 21176D)	21176-0866	1
SENSOR,OXYGEN (Ref # 21176E)	21176-0868	1
SENSOR,INERTIAL (Ref # 21176F)	21176-0878	1
NUT,LOCK,FLANGED,5MM (Ref # 92015)	92015-1752	1
RING-O,9.5X1.9 (Ref # 92055)	92055-0016	1
RING-O (Ref # 92055A)	92055-0842	1
RING-O (Ref # 92055B)	92055-1639	1
COLLAR (Ref # 92152)	92152-0329	1
COLLAR,6.5X16X7.3 (Ref # 92152A)	92152-2336	1
BOLT,SOCKET,8X35 (Ref # 92153)	92153-0419	1
BOLT,SOCKET,5X16 (Ref # 92154)	92154-1449	1
BOLT,SOCKET,6X16 (Ref # 92154A)	92154-1454	1
DAMPER (Ref # 92160)	92160-1278	1
DAMPER (Ref # 92161)	92161-1187	1
DAMPER,ECU (Ref # 92161A)	92161-2123	1
CLAMP,12MM DIA. (Ref # 92173)	92173-0736	1
WASHER (Ref # 92200)	92200-0288	1
WASHER,15.5X22X0.8 (Ref # 92200A)	92200-2214	1
WASHER,6.5X16X1.0 (Ref # 92200B)	92200-3712	1
NUT,LOCK,FLANGED,6MM (Ref # 92210)	92210-0303	1