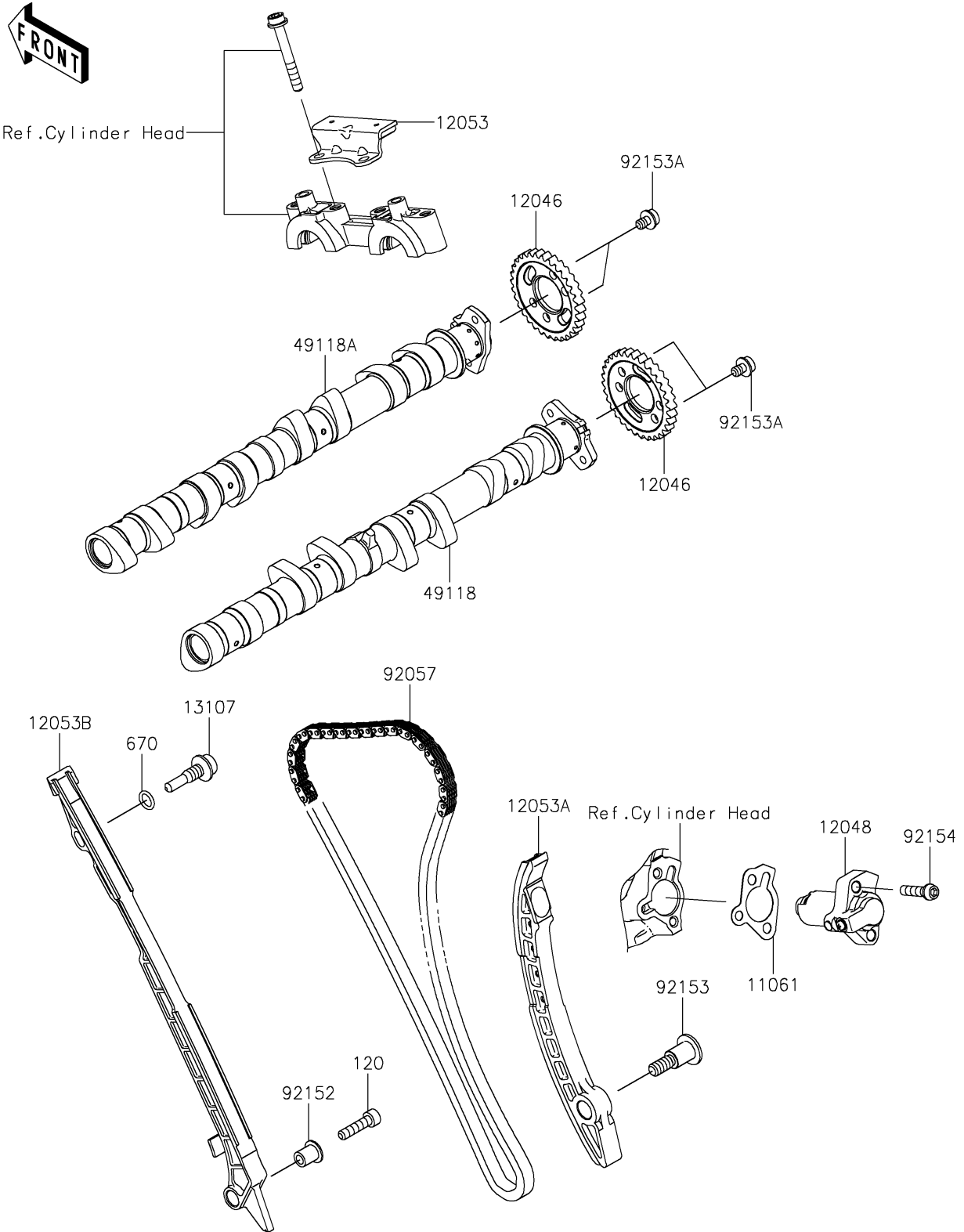


2020 Ninja H2™ SX SE+ PARTS DIAGRAM

Camshaft(s)/Tensioner

E1230



2020 Ninja H2™ SX SE+ PARTS LIST

Camshaft(s)/Tensioner

| ITEM NAME | PART NUMBER | QUANTITY |
|--------------------------------------|-------------|----------|
| GASKET,TENSIONER (Ref # 11061) | 11061-0796 | 1 |
| BOLT-SOCKET,6X25 (Ref # 120) | 120CA0625 | 1 |
| SPROCKET,32T (Ref # 12046) | 12046-0601 | 1 |
| TENSIONER-ASSY (Ref # 12048) | 12048-0101 | 1 |
| GUIDE-CHAIN,UPP (Ref # 12053) | 12053-0041 | 1 |
| GUIDE-CHAIN,RR (Ref # 12053A) | 12053-0217 | 1 |
| GUIDE-CHAIN,FR (Ref # 12053B) | 12053-0251 | 1 |
| SHAFT,CHAIN GUIDE (Ref # 13107) | 13107-0157 | 1 |
| CAMSHAFT-COMP,INTAKE (Ref # 49118) | 49118-0890 | 1 |
| CAMSHAFT-COMP,EXHAUST (Ref # 49118A) | 49118-0891 | 1 |
| O RING,9MM (Ref # 670) | 670D1509 | 1 |
| CHAIN,98XRH2015-126M (Ref # 92057) | 92057-0202 | 1 |
| COLLAR (Ref # 92152) | 92152-0413 | 1 |
| BOLT,SOCKET,8X16.7 (Ref # 92153) | 92153-0446 | 1 |
| BOLT,FLANGED,6X8 (Ref # 92153A) | 92153-0455 | 1 |
| BOLT,SOCKET,6X25 (Ref # 92154) | 92154-1457 | 1 |