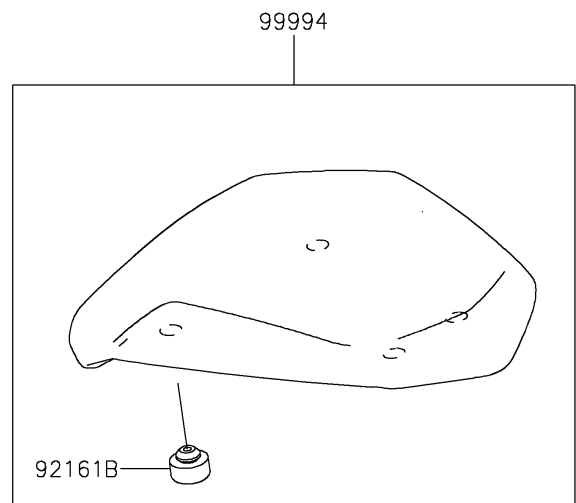
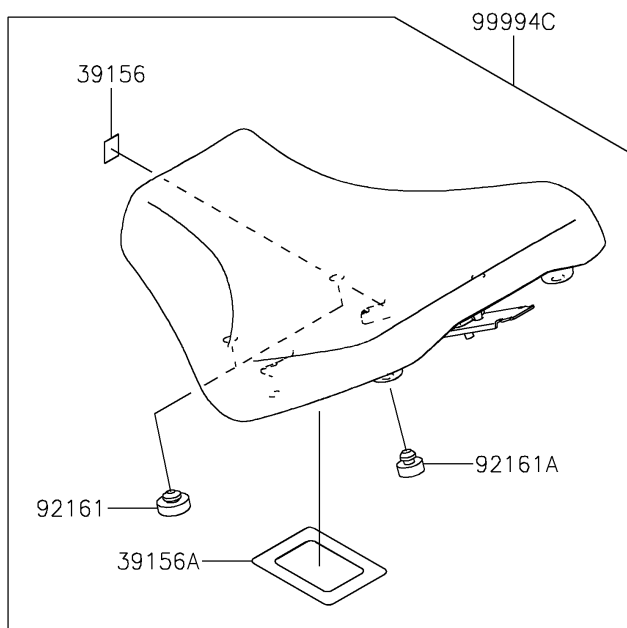
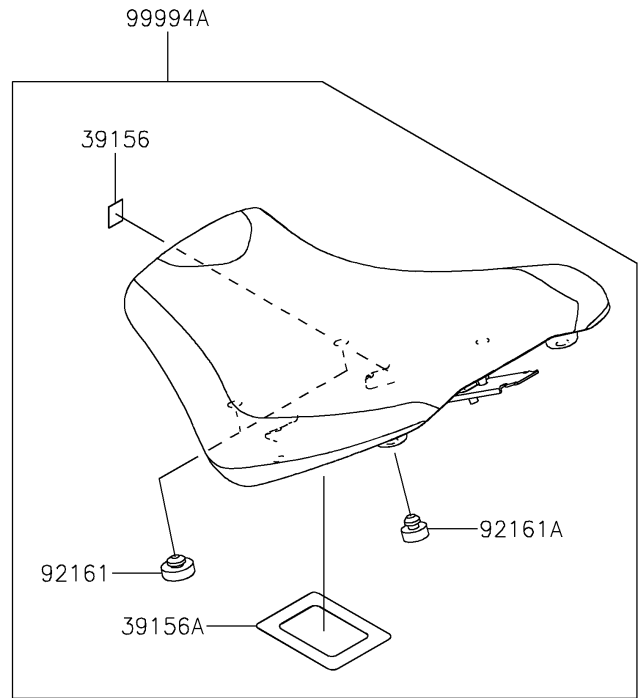
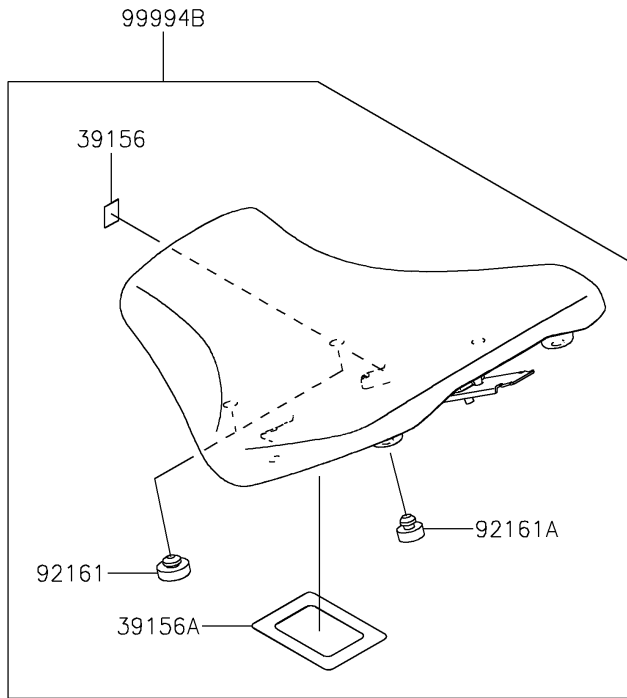


2020 Ninja H2™ SX SE+ PARTS DIAGRAM

Accessory(Seat)

F2910B



2020 Ninja H2™ SX SE+ PARTS LIST

Accessory(Seat)

ITEM NAME	PART NUMBER	QUANTITY
PAD,15X20X0.2 (Ref # 39156)	39156-1784	1
PAD,66X86X0.2 (Ref # 39156A)	39156-2342	1
DAMPER,SEAT,10X25X8 (Ref # 92161)	92161-0095	1
DAMPER,8X20X8 (Ref # 92161A)	92161-0223	1
DAMPER,RR SEAT (Ref # 92161B)	92161-0930	1
KIT-ACCESSORY,SEAT,RR,STD (Ref # 99994)	99994-1122	1
LOW SEAT(DOUBLE STITCH) (Ref # 99994A)	99994-1266	1
LOW SEAT (Ref # 99994B)	99994-1268	1
COMFORT SEAT (Ref # 99994C)	99994-1269	1