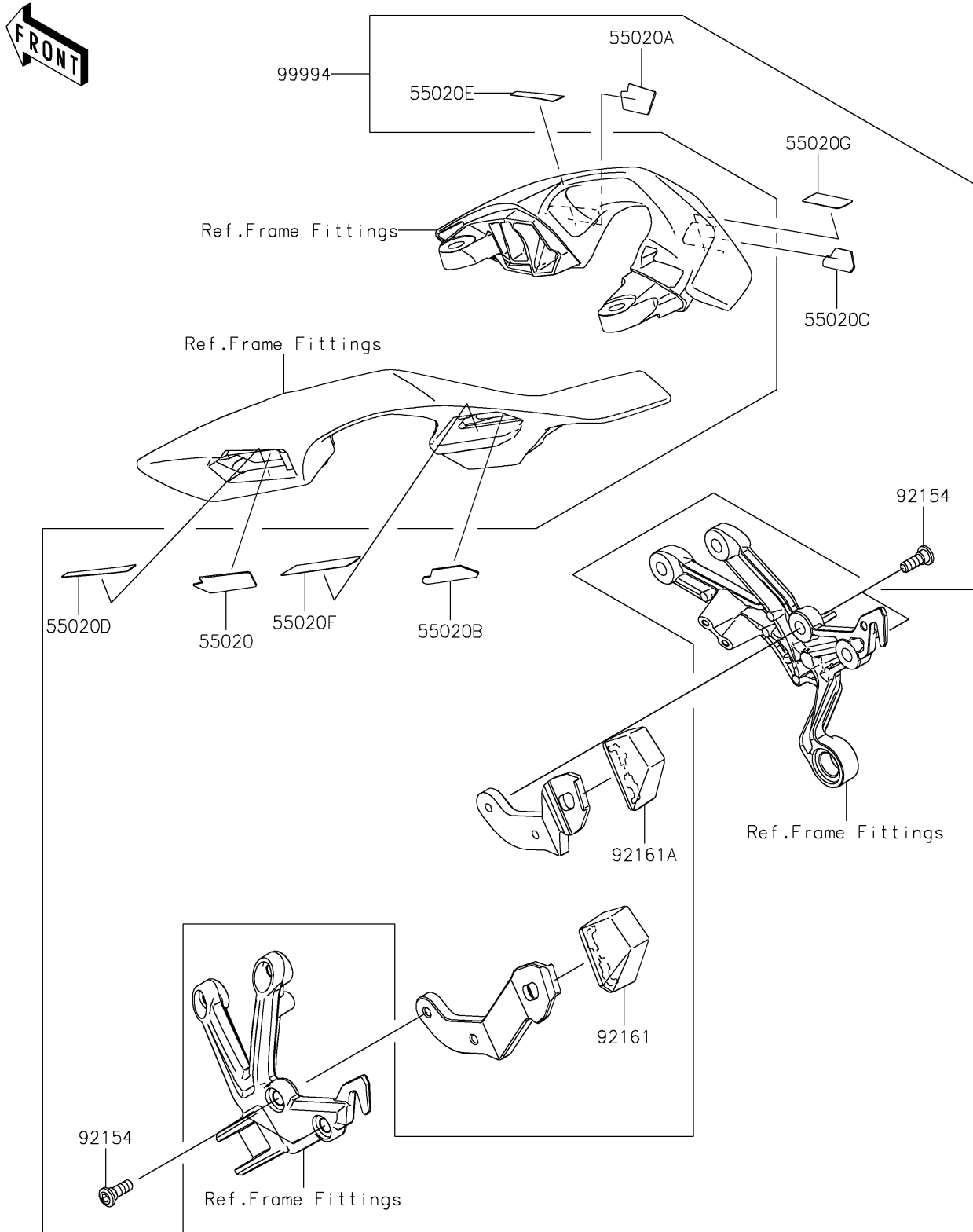


2020 Ninja H2™ SX SE+ PARTS DIAGRAM

Accessory(Bag Fitting Kit)

F2910C



2020 Ninja H2™ SX SE+ PARTS LIST

Accessory(Bag Fitting Kit)

ITEM NAME	PART NUMBER	QUANTITY
GUARD,GRIP,FR,LH (Ref # 55020)	55020-0981	1
GUARD,GRIP,FR,RH (Ref # 55020A)	55020-0982	1
GUARD,GRIP,RR,LH (Ref # 55020B)	55020-1823	1
GUARD,GRIP,RR,RH (Ref # 55020C)	55020-1824	1
GUARD,FR,LH (Ref # 55020D)	55020-2222	1
GUARD,FR,RH (Ref # 55020E)	55020-2223	1
GUARD,RR,LH (Ref # 55020F)	55020-2224	1
GUARD,RR,RH (Ref # 55020G)	55020-2225	1
BOLT,SOCKET,8X23 (Ref # 92154)	92154-2906	1
DAMPER,PANNIER,LH (Ref # 92161)	92161-1550	1
DAMPER,PANNIER,RH (Ref # 92161A)	92161-1551	1
KIT-ACCESSORY,BAG FITTING (Ref # 99994)	99994-1090	1